



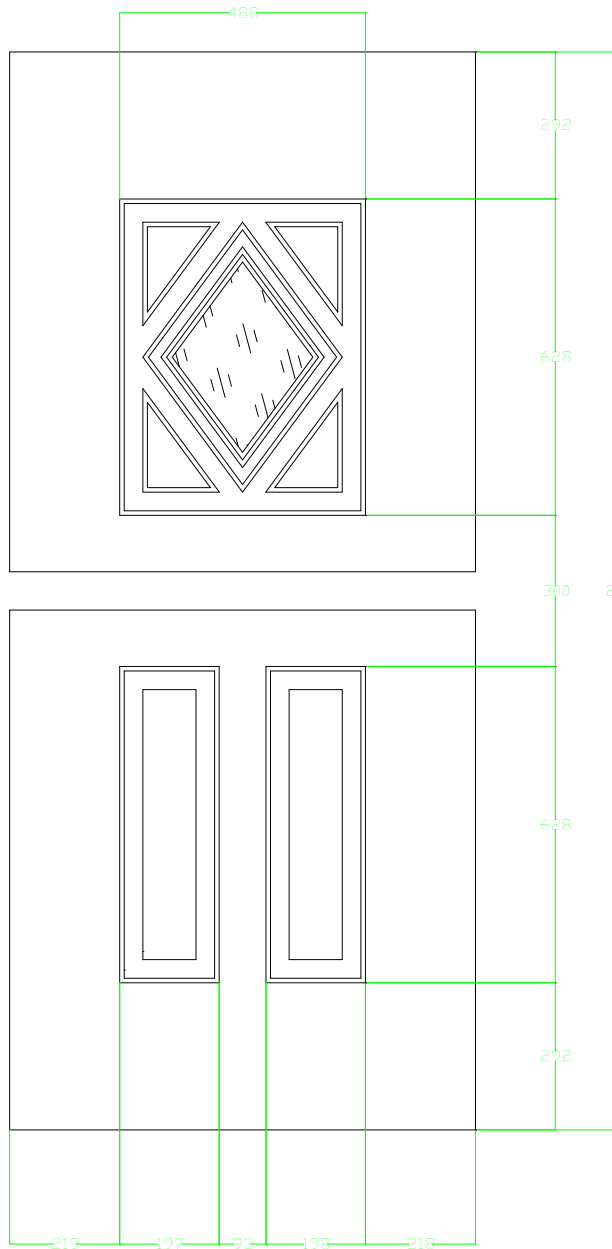
## DOORS

STABLE DIAMONDVIEW  
DIAMOND  
PHILADELPHIA  
PORTLAND  
NEWARK  
CLASSIC  
VOGUE  
JACOBAN  
WINDSOR  
MONTANA  
GEORGIA  
KENTUCKY  
CAROLINA  
ARCACIA  
VIRGINIA  
COLONIAL  
REGENCY  
ENGLISH COTTAGE  
STABLE SPY VIEW  
STABLE VIEW LIGHT  
COTTAGE SPY VIEW  
COTTAGE VIEW LIGHT  
TONGUE AND GROOVE 5  
CAMPUS

DOOR OUTER FRAME  
THRESHOLD  
CILL  
FRAME EXTENSIONS  
COUPLING BAR  
SIDE FRAMES / PANELS



# STABLE DIAMONDVIEW



## 72 FRAME WITH LOW ALUMINIUM THRESHOLD

MAXIMUM SIZE: 1020 x 2096

MINIMUM SIZE: 808 x 1786

## DOUBLE DOORS 72 FRAME WITH LOW ALUMINIUM THRESHOLD

N/A

The overall frame dimensions can be increase or reduced by using other options;

## DOOR OUTER FRAME THRESHOLDS

CILL

FRAME EXTENSIONS

## DOOR SASH

MAXIMUM SIZE: 908 x 2018

MINIMUM SIZE: 696 x 1708

## PRESS GLAZING

UNIT THICKNESS: 22

UNIT SIZE: 320 x 435

APERTURE: 277 x 371

## PRESS BEAD GLAZING

N/A

## DOORS

STABLE DIAMONDVIEW

DIAMOND

PHILADELPHIA

PORTLAND

NEWARK

CLASSIC

VOGUE

JACOBAN

WINDSOR

MONTANA

GEORGIA

KENTUCKY

CAROLINA

ARCACIA

VIRGINIA

COLONIAL

REGENCY

ENGLISH COTTAGE

STABLE SPY VIEW

STABLE VIEW LIGHT

COTTAGE SPY VIEW

COTTAGE VIEW LIGHT

TONGUE AND GROOVE 5

CAMPUS

DOOR OUTER FRAME  
THRESHOLD

CILL

FRAME EXTENSIONS

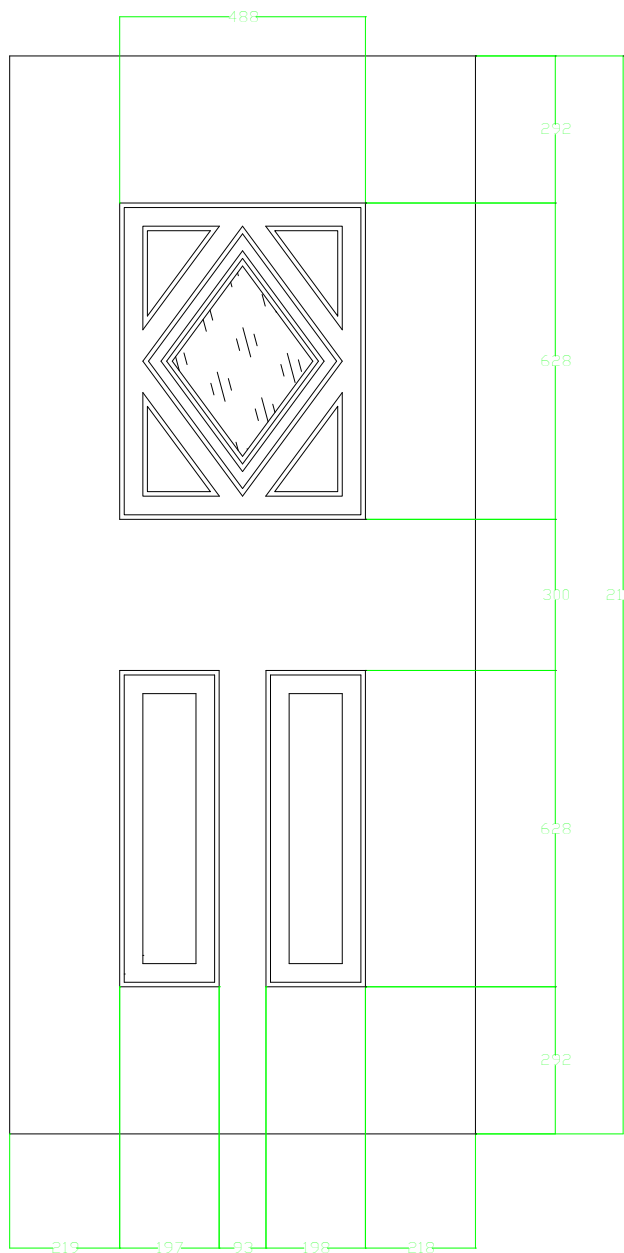
COUPLING BAR

SIDE FRAME PANELS



INDEX

# DIAMOND



## 72 FRAME WITH LOW ALUMINIUM THRESHOLD

MAXIMUM SIZE: 1020 x 2176  
MINIMUM SIZE: 808 x 1842

## DOUBLE DOORS 72 FRAME WITH LOW ALUMINIUM THRESHOLD

MAXIMUM SIZE: 1934x 2176  
MINIMUM SIZE: 1510 x 1842

The overall frame dimensions can be increase or reduced by using other options;

## DOOR OUTER FRAME THRESHOLDS

### CILL

### FRAME EXTENSIONS

## DOOR SASH

MAXIMUM SIZE: 908 x 2098  
MINIMUM SIZE: 696 x 1764

## PRESS GLAZING

UNIT THICKNESS: 22  
UNIT SIZE: 320 x 435  
APERTURE: 277 x 371

## PRESS BEAD GLAZING

N/A

## DOORS

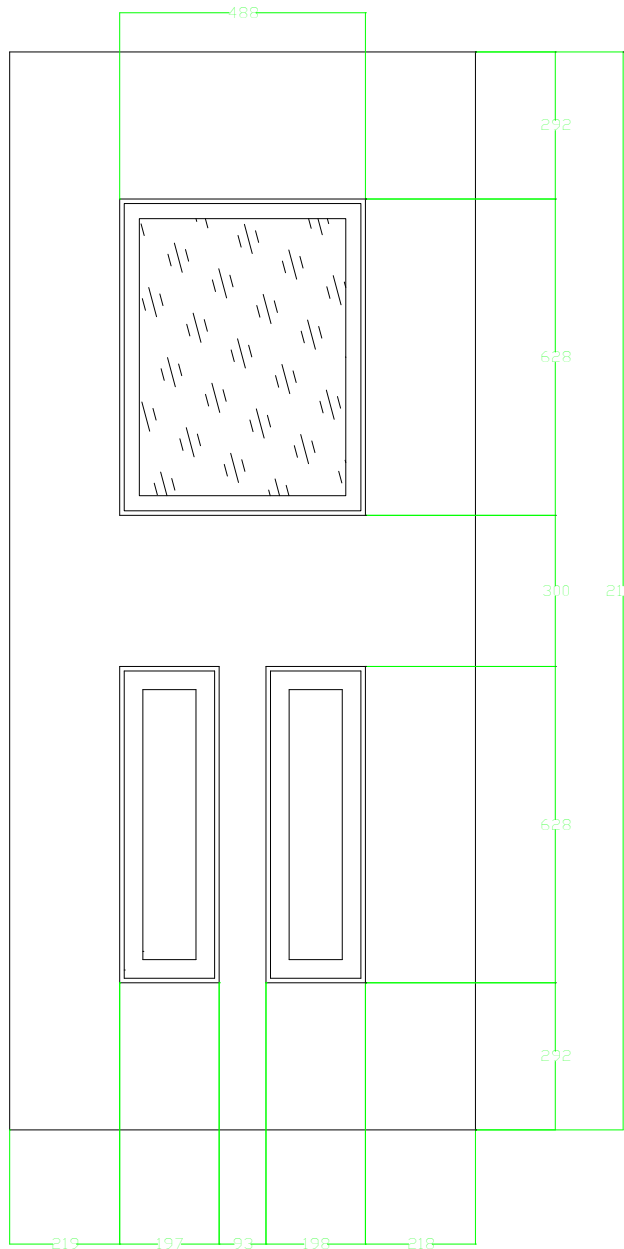
STABLE DIAMONDVIEW  
DIAMOND  
PHILADELPHIA  
PORTLAND  
NEWARK  
CLASSIC  
VOGUE  
JACOBAN  
WINDSOR  
MONTANA  
GEORGIA  
KENTUCKY  
CAROLINA  
ARCACIA  
VIRGINIA  
COLONIAL  
REGENCY  
ENGLISH COTTAGE  
STABLE SPY VIEW  
STABLE VIEW LIGHT  
COTTAGE SPY VIEW  
COTTAGE VIEW LIGHT  
TONGUE AND GROOVE 5  
CAMPUS

DOOR OUTER FRAME  
THRESHOLD  
CILL  
FRAME EXTENSIONS  
COUPLING BAR  
SIDE FRAME PANELS



INDEX

# PHILADELPHIA



## 72 FRAME WITH LOW ALUMINIUM THRESHOLD

MAXIMUM SIZE: 1020 x 2176

MINIMUM SIZE: 808 x 1842

## DOUBLE DOORS 72 FRAME WITH LOW ALUMINIUM THRESHOLD

MAXIMUM SIZE: 1934x 2176

MINIMUM SIZE: 1510 x 1842

The overall frame dimensions can be increase or reduced by using other options;

## DOOR OUTER FRAME THRESHOLDS

### CILL

### FRAME EXTENSIONS

## DOOR SASH

MAXIMUM SIZE: 908 x 2098

MINIMUM SIZE: 696 x 1764

## PRESS GLAZING

N/A

## PRESS BEAD GLAZING

UNIT THICKNESS: 24

UNIT SIZE: 440 x 580

APERTURE: 410 x 550

## DOORS

STABLE DIAMONDDVIEW

DIAMOND

PHILADELPHIA

PORTLAND

NEWARK

CLASSIC

VOGUE

JACOBAN

WINDSOR

MONTANA

GEORGIA

KENTUCKY

CAROLINA

ARCACIA

VIRGINIA

COLONIAL

REGENCY

ENGLISH COTTAGE

STABLE SPY VIEW

STABLE VIEW LIGHT

COTTAGE SPY VIEW

COTTAGE VIEW LIGHT

TONGUE AND GROOVE 5

CAMPUS

DOOR OUTER FRAME  
THRESHOLD

CILL

FRAME EXTENSIONS

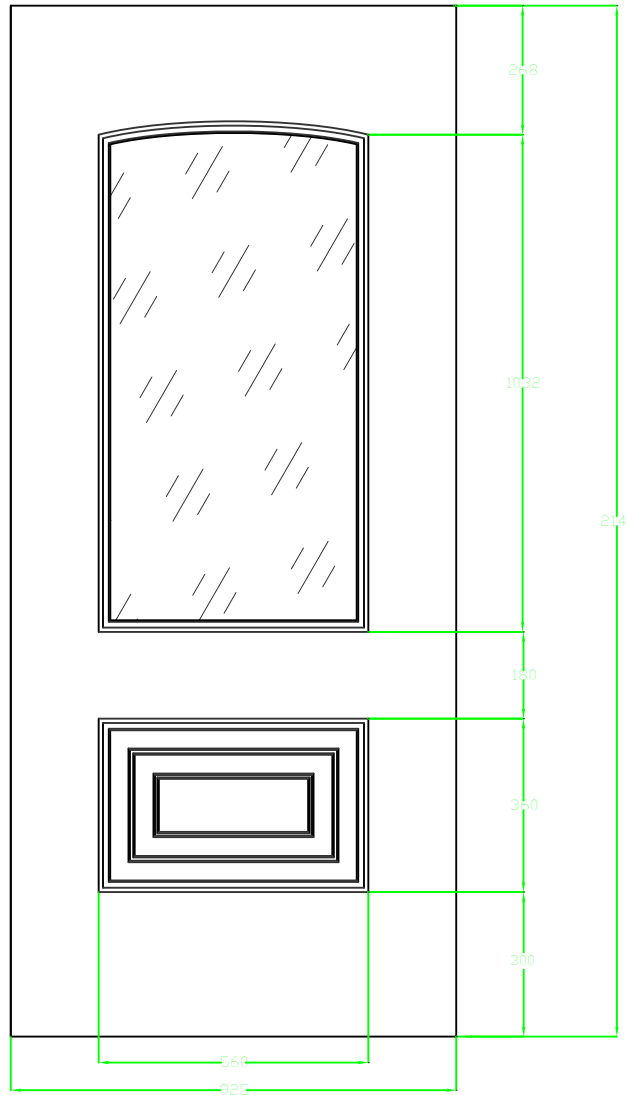
COUPLING BAR

SIDE FRAME PANELS



INDEX

# PORTLAND



## 72 FRAME WITH LOW ALUMINIUM THRESHOLD

MAXIMUM SIZE: 1020 x 2176

MINIMUM SIZE: 880 x 1886

## DOUBLE DOORS 72 FRAME WITH LOW ALUMINIUM THRESHOLD

MAXIMUM SIZE: 1934x 2176

MINIMUM SIZE: 1654 x 1886

The overall frame dimensions can be increase or reduced by using other options;

## DOOR OUTER FRAME THRESHOLDS

### CILL

### FRAME EXTENSIONS

## DOOR SASH

MAXIMUM SIZE: 908 x 2098

MINIMUM SIZE: 768 x 1808

## PRESS GLAZING

UNIT THICKNESS: 22

UNIT SIZE: 547 x 1047

APERTURE: 512 x 1011

## PRESS BEAD GLAZING

N/A

## DOORS

STABLE DIAMONDVIEW

DIAMOND

PHILADELPHIA

PORTLAND

NEWARK

CLASSIC

VOGUE

JACOBAN

WINDSOR

MONTANA

GEORGIA

KENTUCKY

CAROLINA

ARCACIA

VIRGINIA

COLONIAL

REGENCY

ENGLISH COTTAGE

STABLE SPY VIEW

STABLE VIEW LIGHT

COTTAGE SPY VIEW

COTTAGE VIEW LIGHT

TONGUE AND GROOVE 5

CAMPUS

DOOR OUTER FRAME  
THRESHOLD

CILL

FRAME EXTENSIONS

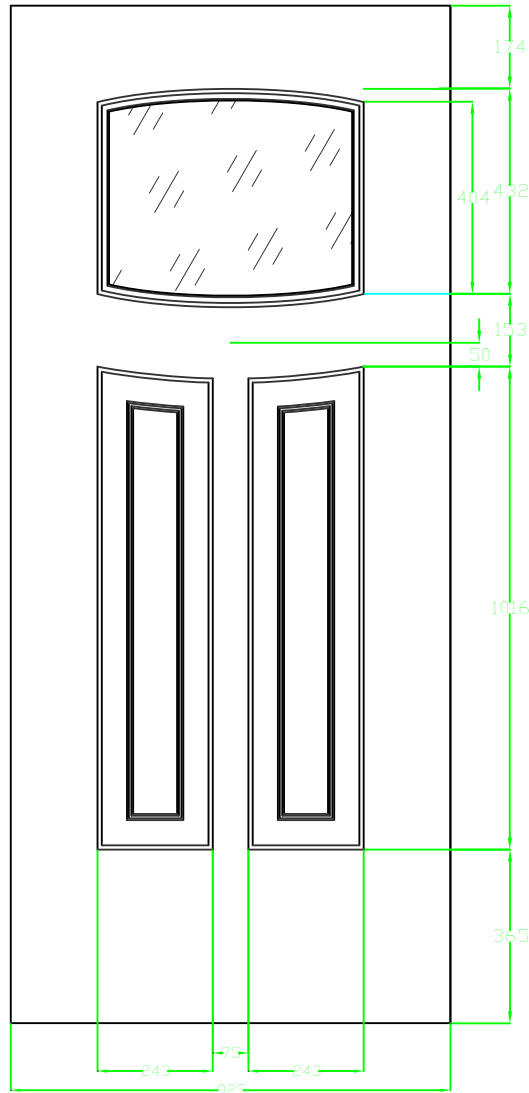
COUPLING BAR

SIDE FRAME PANELS



INDEX

# NEWARK



## 72 FRAME WITH LOW ALUMINIUM THRESHOLD

MAXIMUM SIZE: 1020 x 2176

MINIMUM SIZE: 881 x 1887

## DOUBLE DOORS 72 FRAME WITH LOW ALUMINIUM THRESHOLD

MAXIMUM SIZE: 1934 x 2176

MINIMUM SIZE: 1656 x 1887

The overall frame dimensions can be increase or reduced by using other options;

## DOOR OUTER FRAME THRESHOLDS

## CILL

## FRAME EXTENSIONS

## DOOR SASH

MAXIMUM SIZE: 908 x 2098

MINIMUM SIZE: 769 x 1809

## PRESS GLAZING

UNIT THICKNESS: 22

UNIT SIZE: 547 x 447

APERTURE: 512 x 409

## PRESS BEAD GLAZING

N/A

## DOORS

STABLE DIAMONDVIEW

DIAMOND

PHILADELPHIA

PORTLAND

NEWARK

CLASSIC

VOGUE

JACOBAN

WINDSOR

MONTANA

GEORGIA

KENTUCKY

CAROLINA

ARCACIA

VIRGINIA

COLONIAL

REGENCY

ENGLISH COTTAGE

STABLE SPY VIEW

STABLE VIEW LIGHT

COTTAGE SPY VIEW

COTTAGE VIEW LIGHT

TONGUE AND GROOVE 5

CAMPUS

DOOR OUTER FRAME  
THRESHOLD

CILL

FRAME EXTENSIONS

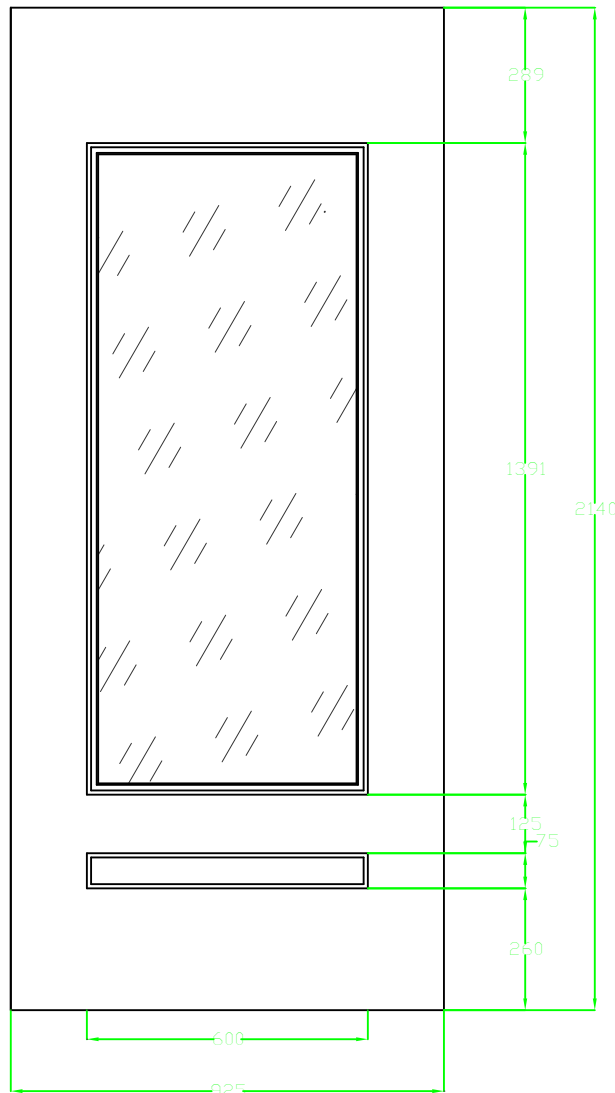
COUPLING BAR

SIDE FRAME PANELS



INDEX

# CLASSIC



## 72 FRAME WITH LOW ALUMINIUM THRESHOLD

MAXIMUM SIZE: 1020 x 2176

MINIMUM SIZE: 920 x 1877

## DOUBLE DOORS 72 FRAME WITH LOW ALUMINIUM THRESHOLD

MAXIMUM SIZE: 1934 x 2176

MINIMUM SIZE: 1734 x 1877

The overall frame dimensions can be increase or reduced by using other options;

## DOOR OUTER FRAME THRESHOLDS

### CILL

### FRAME EXTENSIONS

## DOOR SASH

MAXIMUM SIZE: 908 x 2098

MINIMUM SIZE: 808 x 1799

## PRESS GLAZING

UNIT THICKNESS: 22

UNIT SIZE: 599 x 1390

APERTURE: 565 x 1356

## PRESS BEAD GLAZING

N/A

## DOORS

STABLE DIAMONDVIEW

DIAMOND

PHILADELPHIA

PORTLAND

NEWARK

CLASSIC

VOGUE

JACOBAN

WINDSOR

MONTANA

GEORGIA

KENTUCKY

CAROLINA

ARCACIA

VIRGINIA

COLONIAL

REGENCY

ENGLISH COTTAGE

STABLE SPY VIEW

STABLE VIEW LIGHT

COTTAGE SPY VIEW

COTTAGE VIEW LIGHT

TONGUE AND GROOVE 5

CAMPUS

DOOR OUTER FRAME  
THRESHOLD

CILL

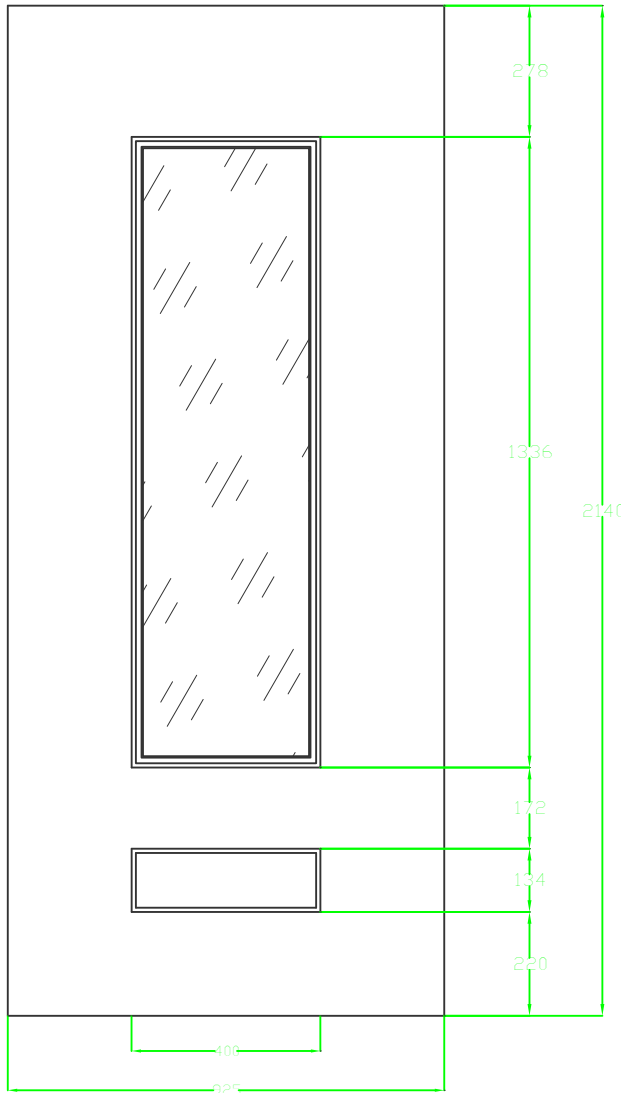
FRAME EXTENSIONS

COUPLING BAR

SIDE FRAME PANELS



INDEX



**72 FRAME WITH  
LOW ALUMINIUM THRESHOLD**

**MAXIMUM SIZE:** 1020 x 2176  
**MINIMUM SIZE:** 785 x 1928

**DOUBLE DOORS 72 FRAME WITH  
LOW ALUMINIUM THRESHOLD**

**MAXIMUM SIZE:** 1934 x 2176  
**MINIMUM SIZE:** 1464 x 1928

The overall frame dimensions can be increase or reduced by using other options;

**DOOR OUTER FRAME  
THRESHOLDS**

**CILL  
FRAME EXTENSIONS**

**DOOR SASH**

**MAXIMUM SIZE:** 908 x 2098  
**MINIMUM SIZE:** 673 x 1850

**PRESS GLAZING**

**UNIT THICKNESS:** 22  
**UNIT SIZE:** 387 x 1323  
**APERTURE:** 352x 1288

**PRESS BEAD GLAZING**

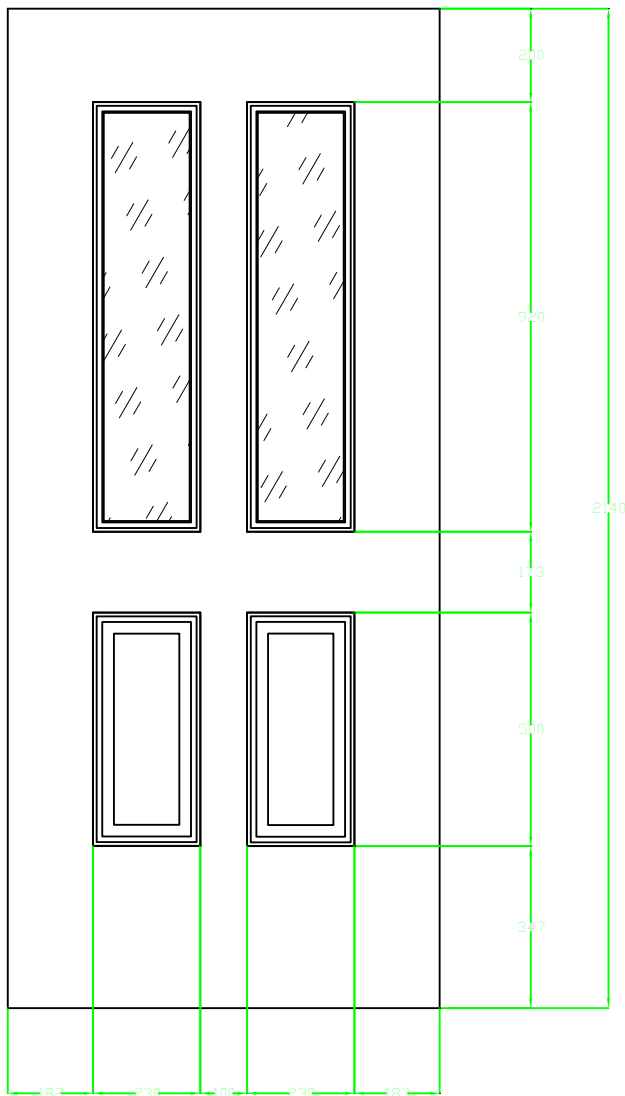
N/A

**DOORS**

- STABLE DIAMONDVIEW
- DIAMOND
- PHILADELPHIA
- PORTLAND
- NEWARK
- CLASSIC
- VOGUE
- JACOBAN
- WINDSOR
- MONTANA
- GEORGIA
- KENTUCKY
- CAROLINA
- ARCACIA
- VIRGINIA
- COLONIAL
- REGENCY
- ENGLISH COTTAGE
- STABLE SPY VIEW
- STABLE VIEW LIGHT
- COTTAGE SPY VIEW
- COTTAGE VIEW LIGHT
- TONGUE AND GROOVE 5
- CAMPUS

- DOOR OUTER FRAME
- THRESHOLD
- CILL
- FRAME EXTENSIONS
- COUPLING BAR
- SIDE FRAME PANELS





## 72 FRAME WITH LOW ALUMINIUM THRESHOLD

MAXIMUM SIZE: 1020 x 2176  
MINIMUM SIZE: 865 x 1879

## DOUBLE DOORS 72 FRAME WITH LOW ALUMINIUM THRESHOLD

MAXIMUM SIZE: 1934 x 2176  
MINIMUM SIZE: 1624 x 1879

The overall frame dimensions can be increase or reduced by using other options;

## DOOR OUTER FRAME THRESHOLDS CILL FRAME EXTENSIONS

## DOOR SASH

MAXIMUM SIZE: 908 x 2098  
MINIMUM SIZE: 753 x 1801

## PRESS GLAZING

UNIT THICKNESS: 22  
UNIT SIZE: 220 x 910  
APERTURE: 180x 866

## PRESS BEAD GLAZING

UNIT THICKNESS: 24  
UNIT SIZE: 188x 875  
APERTURE: 155x 842

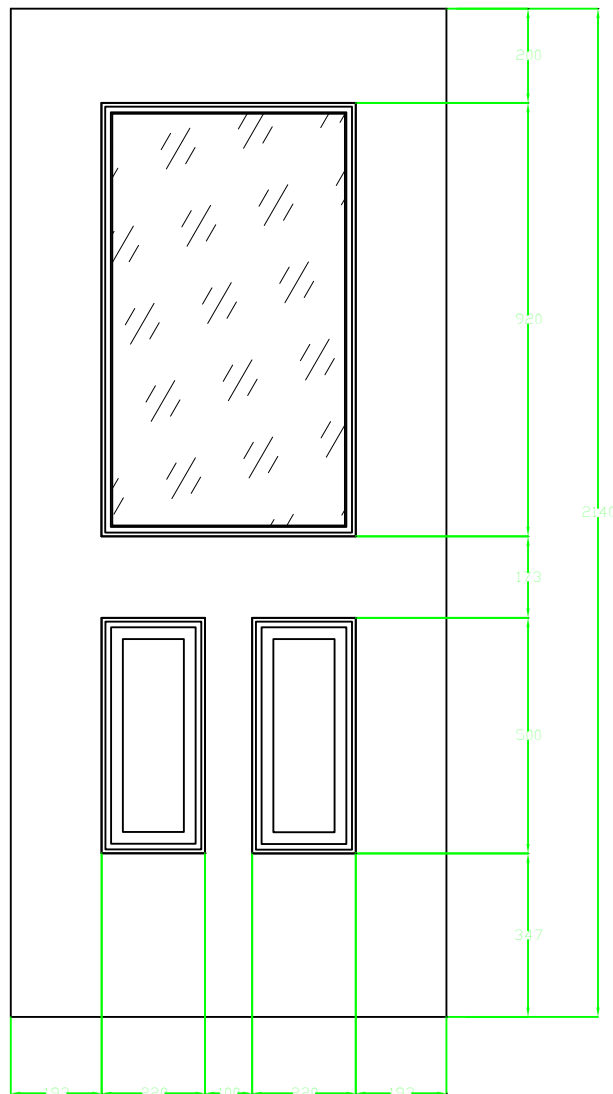
## DOORS

STABLE DIAMONDVIEW  
DIAMOND  
PHILADELPHIA  
PORTLAND  
NEWARK  
CLASSIC  
VOGUE  
JACOBEAN  
WINDSOR  
MONTANA  
GEORGIA  
KENTUCKY  
CAROLINA  
ARCACIA  
VIRGINIA  
COLONIAL  
REGENCY  
ENGLISH COTTAGE  
STABLE SPY VIEW  
STABLE VIEW LIGHT  
COTTAGE SPY VIEW  
COTTAGE VIEW LIGHT  
TONGUE AND GROOVE 5  
CAMPUS

DOOR OUTER FRAME  
THRESHOLD  
CILL  
FRAME EXTENSIONS  
COUPLING BAR  
SIDE FRAME PANELS



# WINDSOR



## 72 FRAME WITH LOW ALUMINIUM THRESHOLD

MAXIMUM SIZE: 1020 x 2176  
MINIMUM SIZE: 860 x 1879

## DOUBLE DOORS 72 FRAME WITH LOW ALUMINIUM THRESHOLD

MAXIMUM SIZE: 1934 x 2176  
MINIMUM SIZE: 1614 x 1879

The overall frame dimensions can be increase or reduced by using other options;

## DOOR OUTER FRAME THRESHOLDS CILL FRAME EXTENSIONS

## DOOR SASH

MAXIMUM SIZE: 908 x 2098  
MINIMUM SIZE: 748 x 1801

## PRESS GLAZING

UNIT THICKNESS: 22  
UNIT SIZE: 530x 910  
APERTURE: 495x 872

## PRESS BEAD GLAZING

UNIT THICKNESS: 24  
UNIT SIZE: 495 x 875  
APERTURE: 462x 842

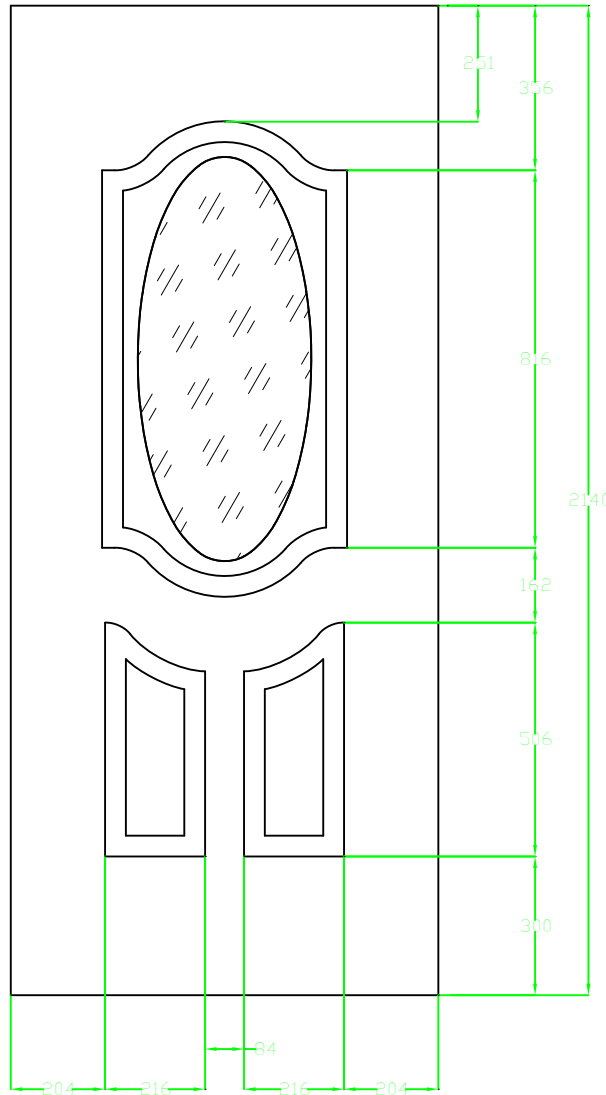
# DOORS

STABLE DIAMONDVIEW  
DIAMOND  
PHILADELPHIA  
PORTLAND  
NEWARK  
CLASSIC  
VOGUE  
JACOBAN  
WINDSOR  
MONTANA  
GEORGIA  
KENTUCKY  
CAROLINA  
ARCACIA  
VIRGINIA  
COLONIAL  
REGENCY  
ENGLISH COTTAGE  
STABLE SPY VIEW  
STABLE VIEW LIGHT  
COTTAGE SPY VIEW  
COTTAGE VIEW LIGHT  
TONGUE AND GROOVE 5  
CAMPUS

DOOR OUTER FRAME  
THRESHOLD  
CILL  
FRAME EXTENSIONS  
COUPLING BAR  
SIDE FRAME PANELS



INDEX



## 72 FRAME WITH LOW ALUMINIUM THRESHOLD

MAXIMUM SIZE: 1020 x 2176

MINIMUM SIZE: 796 x 1875

## DOUBLE DOORS 72 FRAME WITH LOW ALUMINIUM THRESHOLD

MAXIMUM SIZE: 1934 x 2176

MINIMUM SIZE: 1486 x 1875

The overall frame dimensions can be increase or reduced by using other options;

## DOOR OUTER FRAME THRESHOLDS

### CILL

### FRAME EXTENSIONS

## DOOR SASH

MAXIMUM SIZE: 908 x 2098

MINIMUM SIZE: 684 x 1797

## PRESS GLAZING

UNIT THICKNESS: 22

UNIT SIZE: 365 x 862

APERTURE: 320x 819

## PRESS BEAD GLAZING

N/A

## DOORS

STABLE DIAMONDDVIEW

DIAMOND

PHILADELPHIA

PORTLAND

NEWARK

CLASSIC

VOGUE

JACOBAN

WINDSOR

MONTANA

GEORGIA

KENTUCKY

CAROLINA

ARCACIA

VIRGINIA

COLONIAL

REGENCY

ENGLISH COTTAGE

STABLE SPY VIEW

STABLE VIEW LIGHT

COTTAGE SPY VIEW

COTTAGE VIEW LIGHT

TONGUE AND GROOVE 5

CAMPUS

DOOR OUTER FRAME  
THRESHOLD

CILL

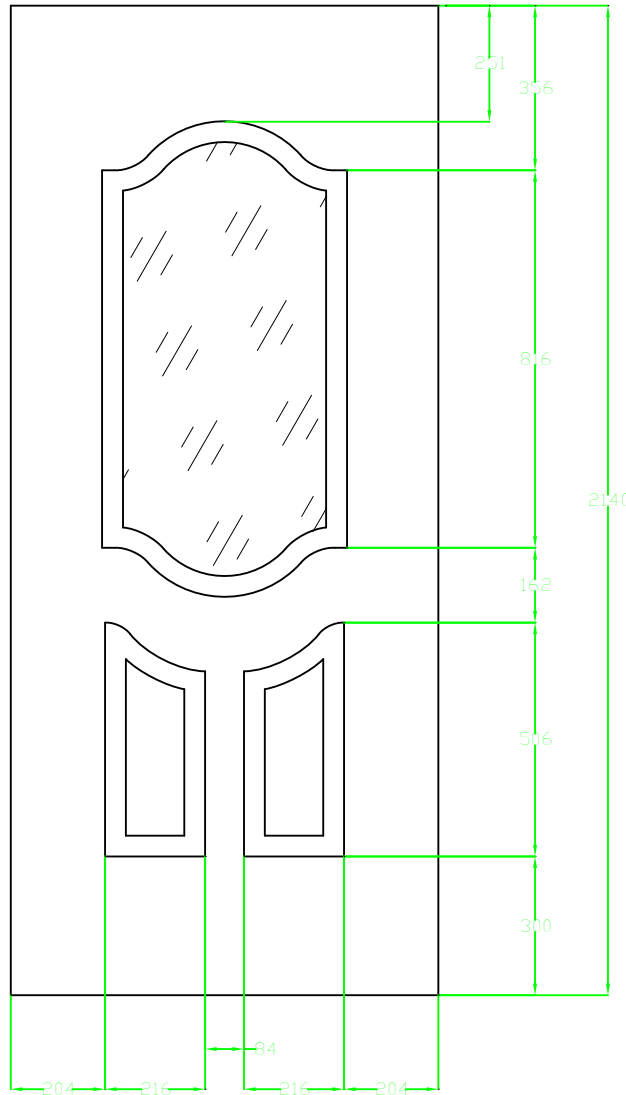
FRAME EXTENSIONS

COUPLING BAR

SIDE FRAME PANELS



# GEORGIA



## 72 FRAME WITH LOW ALUMINIUM THRESHOLD

MAXIMUM SIZE: 1020 x 2176

MINIMUM SIZE: 836 x 1875

## DOUBLE DOORS 72 FRAME WITH LOW ALUMINIUM THRESHOLD

MAXIMUM SIZE: 1934 x 2176

MINIMUM SIZE: 1566 x 1875

The overall frame dimensions can be increase or reduced by using other options;

## DOOR OUTER FRAME THRESHOLDS

### CILL

### FRAME EXTENSIONS

## DOOR SASH

MAXIMUM SIZE: 908 x 2098

MINIMUM SIZE: 724 x 1797

## PRESS GLAZING

UNIT THICKNESS: 22

UNIT SIZE: 512 x 1008

APERTURE: 462x (752 /961/752)

## PRESS BEAD GLAZING

N/A

## DOORS

STABLE DIAMONDDVIEW

DIAMOND

PHILADELPHIA

PORTLAND

NEWARK

CLASSIC

VOGUE

JACOBAN

WINDSOR

MONTANA

GEORGIA

KENTUCKY

CAROLINA

ARCACIA

VIRGINIA

COLONIAL

REGENCY

ENGLISH COTTAGE

STABLE SPY VIEW

STABLE VIEW LIGHT

COTTAGE SPY VIEW

COTTAGE VIEW LIGHT

TONGUE AND GROOVE 5

CAMPUS

DOOR OUTER FRAME  
THRESHOLD

CILL

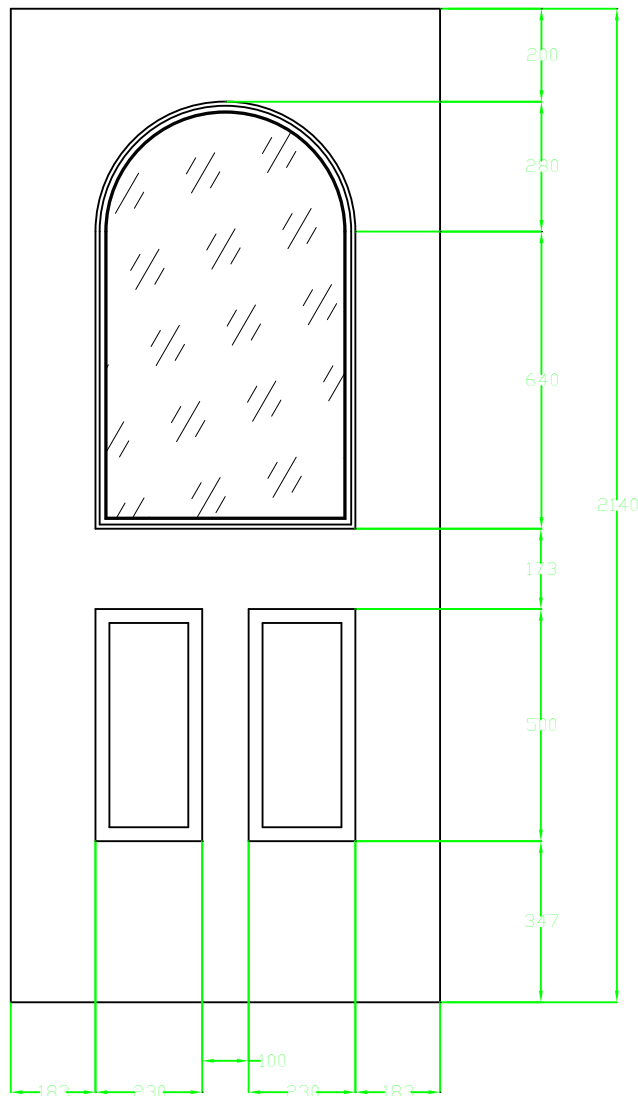
FRAME EXTENSIONS

COUPLING BAR

SIDE FRAME PANELS



INDEX



## 72 FRAME WITH LOW ALUMINIUM THRESHOLD

MAXIMUM SIZE: 1020 x 2176  
MINIMUM SIZE: 880 x 1879

## DOUBLE DOORS 72 FRAME WITH LOW ALUMINIUM THRESHOLD

MAXIMUM SIZE: 1934 x 2176  
MINIMUM SIZE: 1654 x 1879

The overall frame dimensions can be increase or reduced by using other options;

## DOOR OUTER FRAME THRESHOLDS CILL FRAME EXTENSIONS

## DOOR SASH

MAXIMUM SIZE: 908 x 2098  
MINIMUM SIZE: 768 x 1801

## PRESS GLAZING

UNIT THICKNESS: 22  
UNIT SIZE: 560 x 912  
APERTURE: 508 x 867

## PRESS BEAD GLAZING

UNIT THICKNESS: 24  
UNIT SIZE: 516 x 875  
APERTURE: 482 x 840

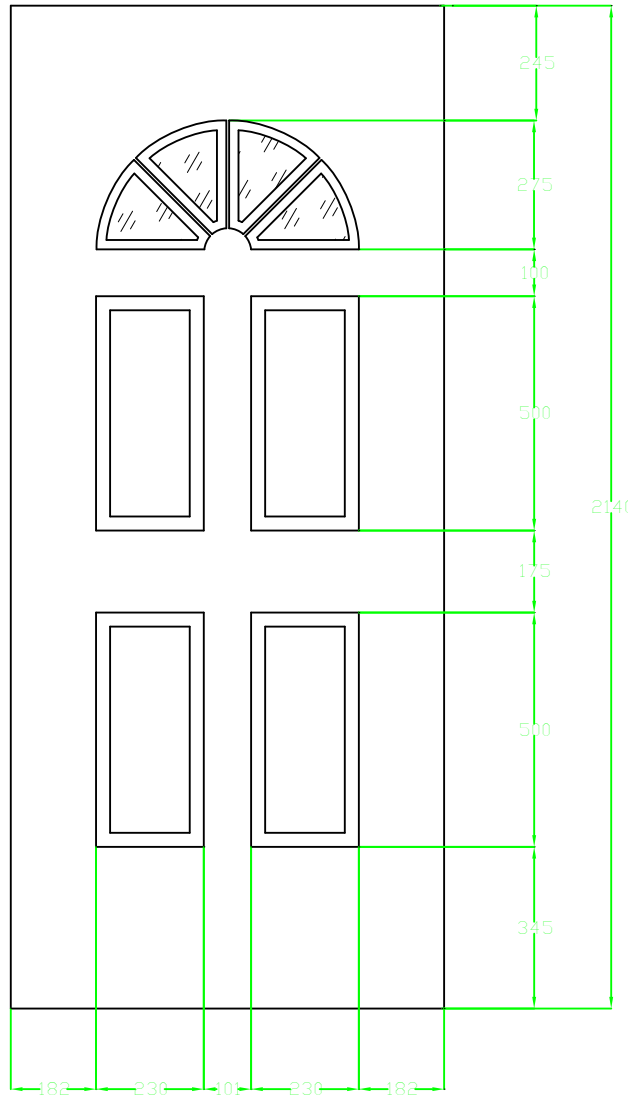
## DOORS

STABLE DIAMONDVIEW  
DIAMOND  
PHILADELPHIA  
PORTLAND  
NEWARK  
CLASSIC  
VOGUE  
JACOBAN  
WINDSOR  
MONTANA  
GEORGIA  
KENTUCKY  
CAROLINA  
ARCACIA  
VIRGINIA  
COLONIAL  
REGENCY  
ENGLISH COTTAGE  
STABLE SPY VIEW  
STABLE VIEW LIGHT  
COTTAGE SPY VIEW  
COTTAGE VIEW LIGHT  
TONGUE AND GROOVE 5  
CAMPUS

DOOR OUTER FRAME  
THRESHOLD  
CILL  
FRAME EXTENSIONS  
COUPLING BAR  
SIDE FRAME PANELS



# CAROLINA



## 72 FRAME WITH LOW ALUMINIUM THRESHOLD

MAXIMUM SIZE: 1020 x 2176

MINIMUM SIZE: 881 x 1836

## DOUBLE DOORS 72 FRAME WITH LOW ALUMINIUM THRESHOLD

MAXIMUM SIZE: 1934 x 2176

MINIMUM SIZE: 1656 x 1836

The overall frame dimensions can be increase or reduced by using other options;

## DOOR OUTER FRAME THRESHOLDS

### CILL

### FRAME EXTENSIONS

## DOOR SASH

MAXIMUM SIZE: 908 x 2098

MINIMUM SIZE: 769 x 1758

## PRESS GLAZING

UNIT THICKNESS: 22

UNIT SIZE: 560 x 275

APERTURE: N/A

## PRESS BEAD GLAZING

UNIT THICKNESS: 24

UNIT SIZE: 490 x 225

APERTURE: 452 x 192

## DOORS

STABLE DIAMONDVIEW

DIAMOND

PHILADELPHIA

PORTLAND

NEWARK

CLASSIC

VOGUE

JACOBAN

WINDSOR

MONTANA

GEORGIA

KENTUCKY

CAROLINA

ARCACIA

VIRGINIA

COLONIAL

REGENCY

ENGLISH COTTAGE

STABLE SPY VIEW

STABLE VIEW LIGHT

COTTAGE SPY VIEW

COTTAGE VIEW LIGHT

TONGUE AND GROOVE 5

CAMPUS

DOOR OUTER FRAME  
THRESHOLD

CILL

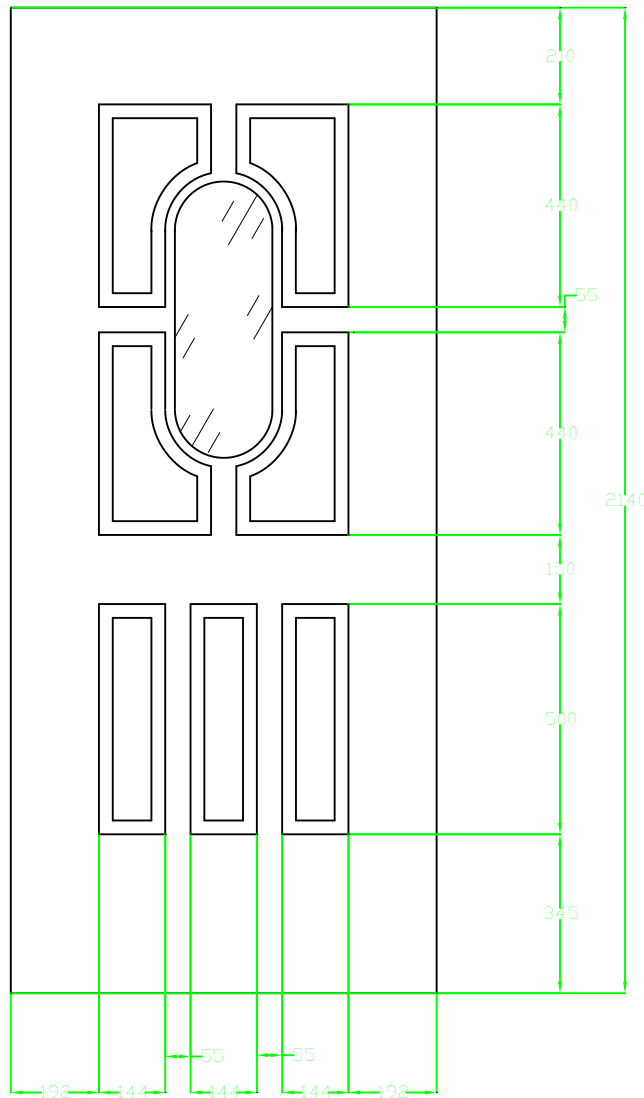
FRAME EXTENSIONS

COUPLING BAR

SIDE FRAME PANELS



INDEX



## 72 FRAME WITH LOW ALUMINIUM THRESHOLD

MAXIMUM SIZE: 1020 x 2176  
MINIMUM SIZE: 822 x 1841

## DOUBLE DOORS 72 FRAME WITH LOW ALUMINIUM THRESHOLD

MAXIMUM SIZE: 1934 x 2176  
MINIMUM SIZE: 1538 x 1841

The overall frame dimensions can be increase or reduced by using other options;

## DOOR OUTER FRAME THRESHOLDS

### CILL

### FRAME EXTENSIONS

## DOOR SASH

MAXIMUM SIZE: 908 x 2098  
MINIMUM SIZE: 710 x 1763

## PRESS GLAZING

UNIT THICKNESS: 22  
UNIT SIZE: 246 x 668  
APERTURE: 208x 630

## PRESS BEAD GLAZING

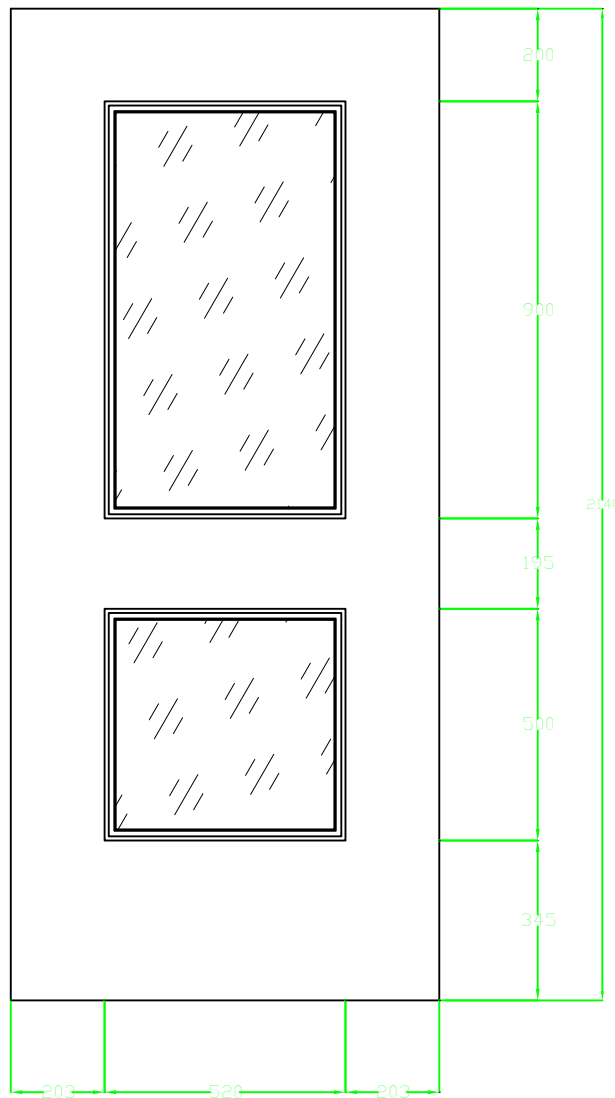
UNIT THICKNESS: 24  
UNIT SIZE: 207 x 632  
APERTURE: 182 x 604

## DOORS

STABLE DIAMONDVIEW  
DIAMOND  
PHILADELPHIA  
PORTLAND  
NEWARK  
CLASSIC  
VOGUE  
JACOBAN  
WINDSOR  
MONTANA  
GEORGIA  
KENTUCKY  
CAROLINA  
ARCACIA  
VIRGINIA  
COLONIAL  
REGENCY  
ENGLISH COTTAGE  
STABLE SPY VIEW  
STABLE VIEW LIGHT  
COTTAGE SPY VIEW  
COTTAGE VIEW LIGHT  
TONGUE AND GROOVE 5  
CAMPUS

DOOR OUTER FRAME  
THRESHOLD  
CILL  
FRAME EXTENSIONS  
COUPLING BAR  
SIDE FRAME PANELS





## 72 FRAME WITH LOW ALUMINIUM THRESHOLD

MAXIMUM SIZE: 1020 x 2176  
MINIMUM SIZE: 840 x 1881

## DOUBLE DOORS 72 FRAME WITH LOW ALUMINIUM THRESHOLD

MAXIMUM SIZE: 1934 x 2176  
MINIMUM SIZE: 1574 x 1881

The overall frame dimensions can be increase or reduced by using other options;

## DOOR OUTER FRAME THRESHOLDS CILL FRAME EXTENSIONS

## DOOR SASH

MAXIMUM SIZE: 908 x 2098  
MINIMUM SIZE: 728x 1803

## PRESS GLAZING

UNIT THICKNESS:	22	
UNIT SIZE:	510 x 890	510 x 490
APERTURE:	466x 846	466 x 448

## PRESS BEAD GLAZING

UNIT THICKNESS:	24	
UNIT SIZE:	470 x 1852	470 x 455
APERTURE:	438 x 818	438 x 422

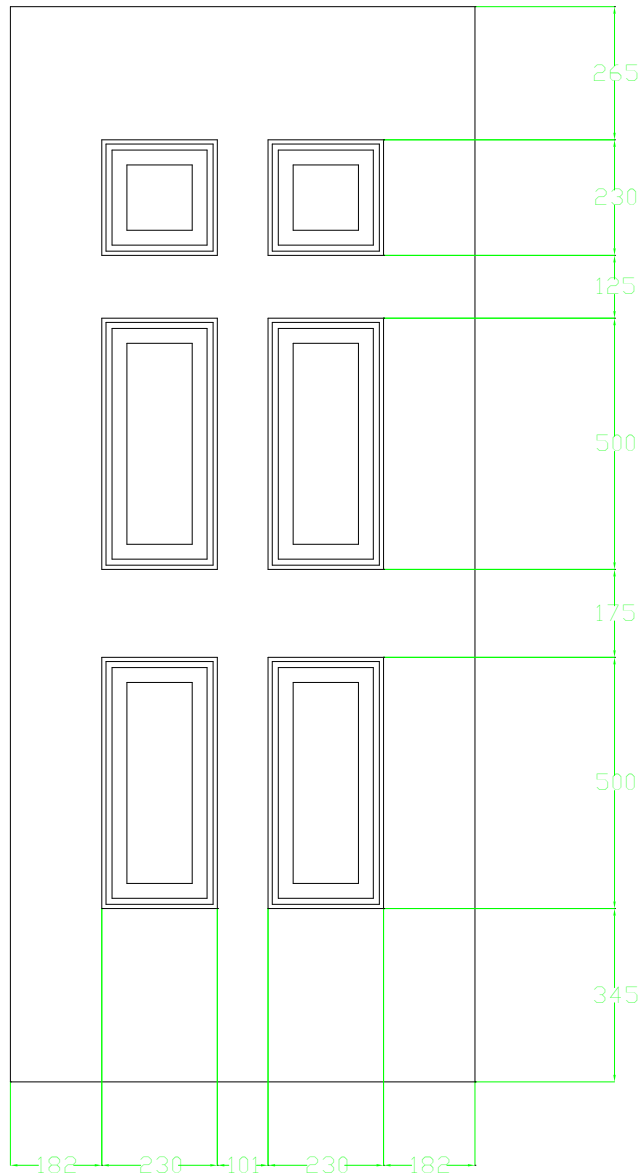
## DOORS

STABLE DIAMONDVIEW  
DIAMOND  
PHILADELPHIA  
PORTLAND  
NEWARK  
CLASSIC  
VOGUE  
JACOBAN  
WINDSOR  
MONTANA  
GEORGIA  
KENTUCKY  
CAROLINA  
ARCACIA  
VIRGINIA  
COLONIAL  
REGENCY  
ENGLISH COTTAGE  
STABLE SPY VIEW  
STABLE VIEW LIGHT  
COTTAGE SPY VIEW  
COTTAGE VIEW LIGHT  
TONGUE AND GROOVE 5  
CAMPUS

DOOR OUTER FRAME  
THRESHOLD  
CILL  
FRAME EXTENSIONS  
COUPLING BAR  
SIDE FRAME PANELS



# COLONIAL



## 72 FRAME WITH LOW ALUMINIUM THRESHOLD

MAXIMUM SIZE: 1020 x 2176

MINIMUM SIZE: 841x 1806

## DOUBLE DOORS 72 FRAME WITH LOW ALUMINIUM THRESHOLD

MAXIMUM SIZE: 1934 x 2176

MINIMUM SIZE: 1576 x 1806

The overall frame dimensions can be increase or reduced by using other options;

## DOOR OUTER FRAME THRESHOLDS

CILL

FRAME EXTENSIONS

## DOOR SASH

MAXIMUM SIZE: 908 x 2098

MINIMUM SIZE: 729 x 1728

## PRESS GLAZING

N/A

## PRESS BEAD GLAZING

N/A

## DOORS

STABLE DIAMONDVIEW

DIAMOND

PHILADELPHIA

PORTLAND

NEWARK

CLASSIC

VOGUE

JACOBAN

WINDSOR

MONTANA

GEORGIA

KENTUCKY

CAROLINA

ARCACIA

VIRGINIA

COLONIAL

REGENCY

ENGLISH COTTAGE

STABLE SPY VIEW

STABLE VIEW LIGHT

COTTAGE SPY VIEW

COTTAGE VIEW LIGHT

TONGUE AND GROOVE 5

CAMPUS

DOOR OUTER FRAME  
THRESHOLD

CILL

FRAME EXTENSIONS

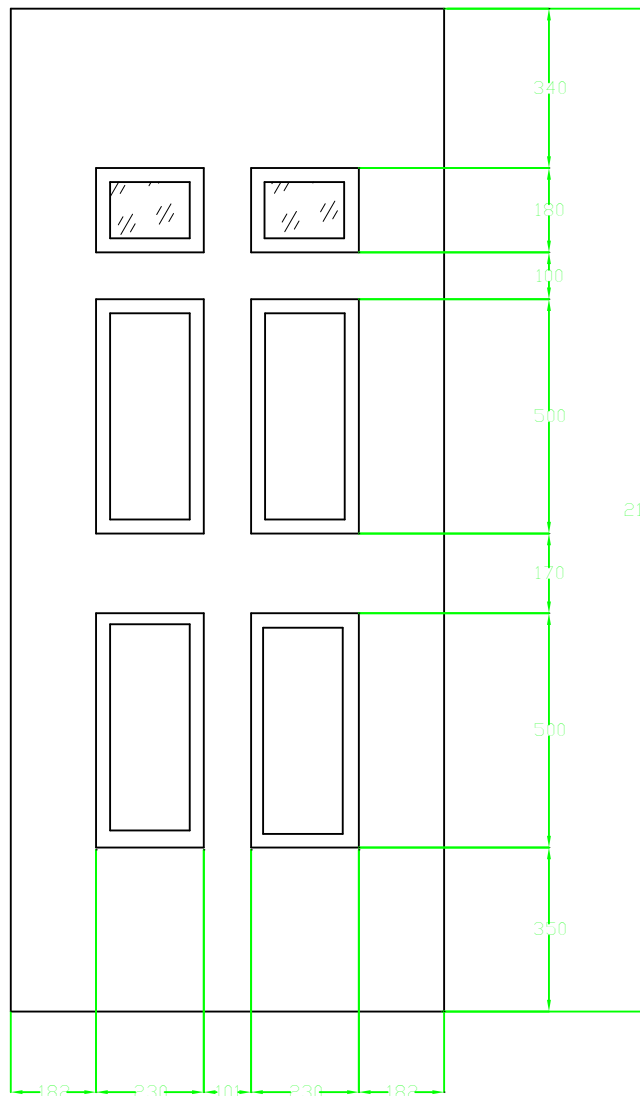
COUPLING BAR

SIDE FRAME PANELS



INDEX

# REGENCY



## 72 FRAME WITH LOW ALUMINIUM THRESHOLD

MAXIMUM SIZE: 1020 x 2176  
MINIMUM SIZE: 881x 1806

## DOUBLE DOORS 72 FRAME WITH LOW ALUMINIUM THRESHOLD

MAXIMUM SIZE: 1934 x 2176  
MINIMUM SIZE: 1656 x 1806

The overall frame dimensions can be increase or reduced by using other options;

## DOOR OUTER FRAME THRESHOLDS CILL FRAME EXTENSIONS

## DOOR SASH

MAXIMUM SIZE: 908 x 2098  
MINIMUM SIZE: 769 x 1728

## PRESS GLAZING

UNIT THICKNESS: 22  
UNIT SIZE: 198 x 147  
APERTURE: 157 x 105

## PRESS BEAD GLAZING

UNIT THICKNESS: 24  
UNIT SIZE: 198 x 147  
APERTURE: 157 x 105

## DOORS

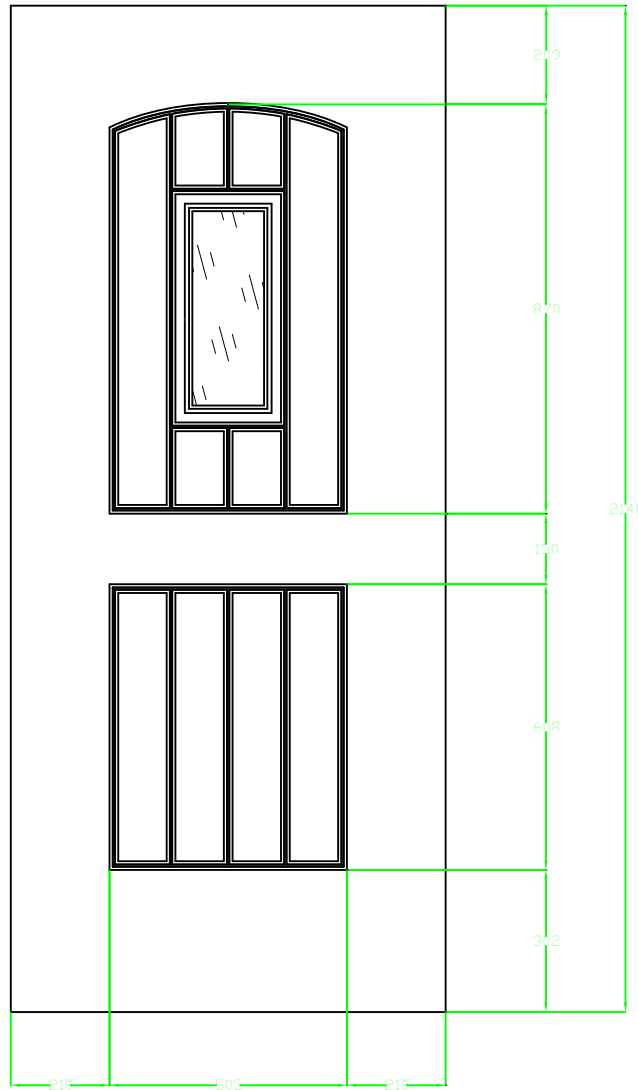
STABLE DIAMONDVIEW  
DIAMOND  
PHILADELPHIA  
PORTLAND  
NEWARK  
CLASSIC  
VOGUE  
JACOBAN  
WINDSOR  
MONTANA  
GEORGIA  
KENTUCKY  
CAROLINA  
ARCACIA  
VIRGINIA  
COLONIAL  
REGENCY  
ENGLISH COTTAGE  
STABLE SPY VIEW  
STABLE VIEW LIGHT  
COTTAGE SPY VIEW  
COTTAGE VIEW LIGHT  
TONGUE AND GROOVE 5  
CAMPUS

DOOR OUTER FRAME  
THRESHOLD  
CILL  
FRAME EXTENSIONS  
COUPLING BAR  
SIDE FRAME PANELS



INDEX

# ENGLISH COTTAGE



## 72 FRAME WITH LOW ALUMINIUM THRESHOLD

MAXIMUM SIZE: 1020 x 2176

MINIMUM SIZE: 785 x 1874

## DOUBLE DOORS 72 FRAME WITH LOW ALUMINIUM THRESHOLD

MAXIMUM SIZE: 1934 x 2176

MINIMUM SIZE: 1464 x 1874

The overall frame dimensions can be increase or reduced by using other options;

## DOOR OUTER FRAME THRESHOLDS

### CILL

### FRAME EXTENSIONS

## DOOR SASH

MAXIMUM SIZE: 908 x 2098

MINIMUM SIZE: 673 x 1796

## PRESS GLAZING

UNIT THICKNESS: 22

UNIT SIZE: 192x 447

APERTURE: 152 x 413

## PRESS BEAD GLAZING

N/A

## DOORS

STABLE DIAMONDDVIEW

DIAMOND

PHILADELPHIA

PORTLAND

NEWARK

CLASSIC

VOGUE

JACOBAN

WINDSOR

MONTANA

GEORGIA

KENTUCKY

CAROLINA

ARCACIA

VIRGINIA

COLONIAL

REGENCY

ENGLISH COTTAGE

STABLE SPY VIEW

STABLE VIEW LIGHT

COTTAGE SPY VIEW

COTTAGE VIEW LIGHT

TONGUE AND GROOVE 5

CAMPUS

DOOR OUTER FRAME  
THRESHOLD

CILL

FRAME EXTENSIONS

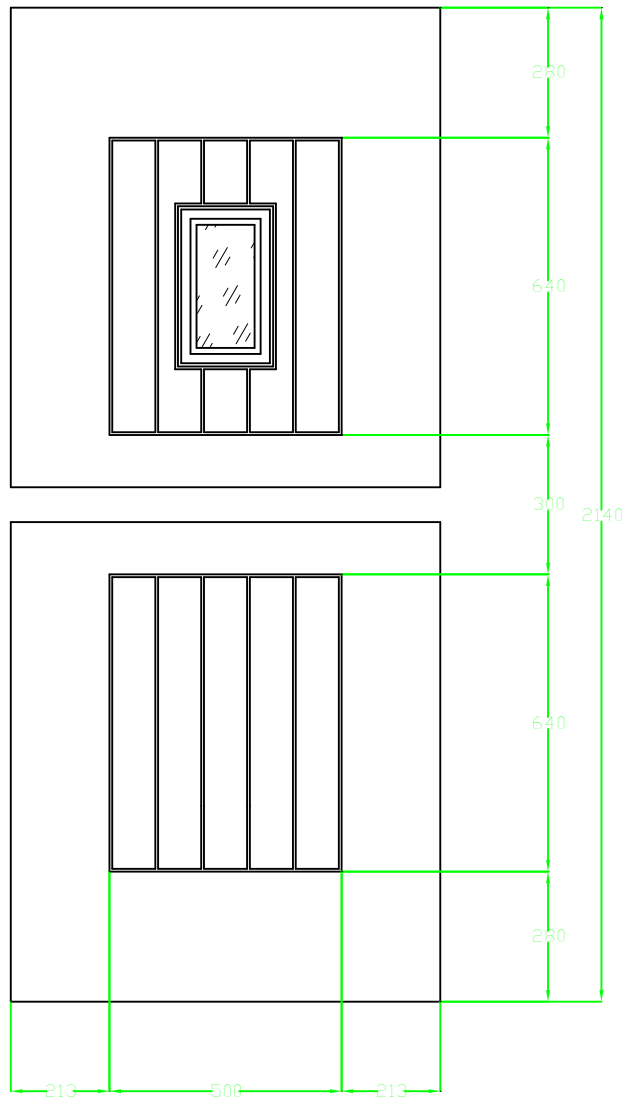
COUPLING BAR

SIDE FRAME PANELS



INDEX

# STABLE SPY VIEW



## 72 FRAME WITH LOW ALUMINIUM THRESHOLD

MAXIMUM SIZE: 1020 x 2096

MINIMUM SIZE: 785 x 1746

## DOUBLE DOORS 72 FRAME WITH LOW ALUMINIUM THRESHOLD

N/A

The overall frame dimensions can be increase or reduced by using other options;

## DOOR OUTER FRAME THRESHOLDS

CILL

FRAME EXTENSIONS

## DOOR SASH

MAXIMUM SIZE: 908 x 2018

MINIMUM SIZE: 673 x 1668

## PRESS GLAZING

UNIT THICKNESS: 22

UNIT SIZE: 150 x 300

APERTURE: 109x 252

## PRESS BEAD GLAZING

N/A

## DOORS

STABLE DIAMONDDVIEW

DIAMOND

PHILADELPHIA

PORTLAND

NEWARK

CLASSIC

VOGUE

JACOBAN

WINDSOR

MONTANA

GEORGIA

KENTUCKY

CAROLINA

ARCACIA

VIRGINIA

COLONIAL

REGENCY

ENGLISH COTTAGE

STABLE SPY VIEW

STABLE VIEW LIGHT

COTTAGE SPY VIEW

COTTAGE VIEW LIGHT

TONGUE AND GROOVE 5

CAMPUS

DOOR OUTER FRAME  
THRESHOLD

CILL

FRAME EXTENSIONS

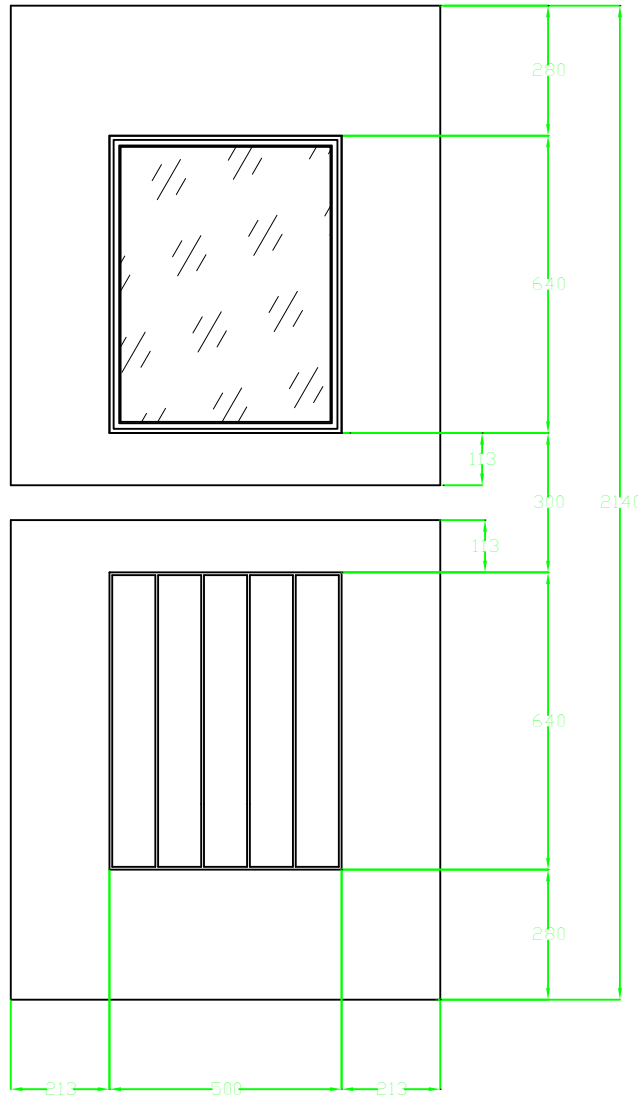
COUPLING BAR

SIDE FRAME PANELS



INDEX

# STABLE VIEW LIGHT



## 72 FRAME WITH LOW ALUMINIUM THRESHOLD

MAXIMUM SIZE: 1020 x 2096

MINIMUM SIZE: 820 x 1786

## DOUBLE DOORS 72 FRAME WITH LOW ALUMINIUM THRESHOLD

N/A

The overall frame dimensions can be increase or reduced by using other options;

## DOOR OUTER FRAME THRESHOLDS

## CILL

## FRAME EXTENSIONS

## DOOR SASH

MAXIMUM SIZE: 908 x 2018

MINIMUM SIZE: 708 x 1708

## PRESS GLAZING

UNIT THICKNESS: 22

UNIT SIZE: 485 x 625

APERTURE: 436 x 576

## PRESS BEAD GLAZING

N/A

## DOORS

STABLE DIAMONDDVIEW

DIAMOND

PHILADELPHIA

PORTLAND

NEWARK

CLASSIC

VOGUE

JACOBAN

WINDSOR

MONTANA

GEORGIA

KENTUCKY

CAROLINA

ARCACIA

VIRGINIA

COLONIAL

REGENCY

ENGLISH COTTAGE

STABLE SPY VIEW

STABLE VIEW LIGHT

COTTAGE SPY VIEW

COTTAGE VIEW LIGHT

TONGUE AND GROOVE 5

CAMPUS

DOOR OUTER FRAME  
THRESHOLD

CILL

FRAME EXTENSIONS

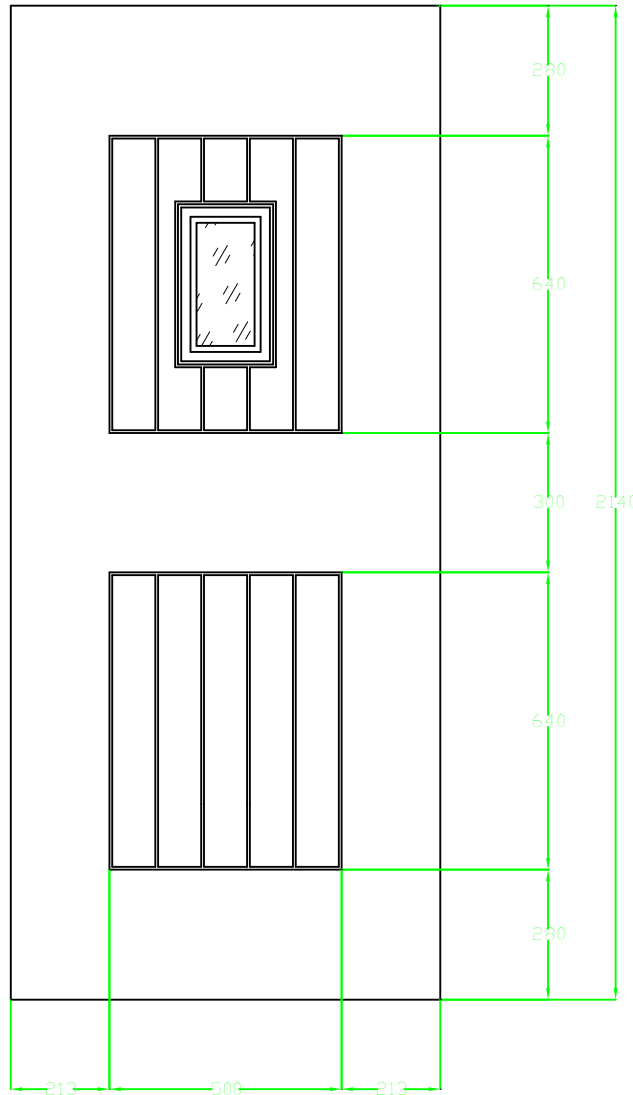
COUPLING BAR

SIDE FRAME PANELS



INDEX

# COTTAGE SPY VIEW



## 72 FRAME WITH LOW ALUMINIUM THRESHOLD

MAXIMUM SIZE: 1020 x 2176

MINIMUM SIZE: 785x 1826

## DOUBLE DOORS 72 FRAME WITH LOW ALUMINIUM THRESHOLD

MAXIMUM SIZE: 1934 x 2176

MINIMUM SIZE: 1464 x 1826

The overall frame dimensions can be increase or reduced by using other options;

## DOOR OUTER FRAME THRESHOLDS

### CILL

### FRAME EXTENSIONS

## DOOR SASH

MAXIMUM SIZE: 908 x 2098

MINIMUM SIZE: 673 x 1748

## PRESS GLAZING

UNIT THICKNESS: 22

UNIT SIZE: 150 x 300

APERTURE: 109x 252

## PRESS BEAD GLAZING

UNIT THICKNESS: 24

UNIT SIZE: 114 x 255

APERTURE: 85 x 226

## DOORS

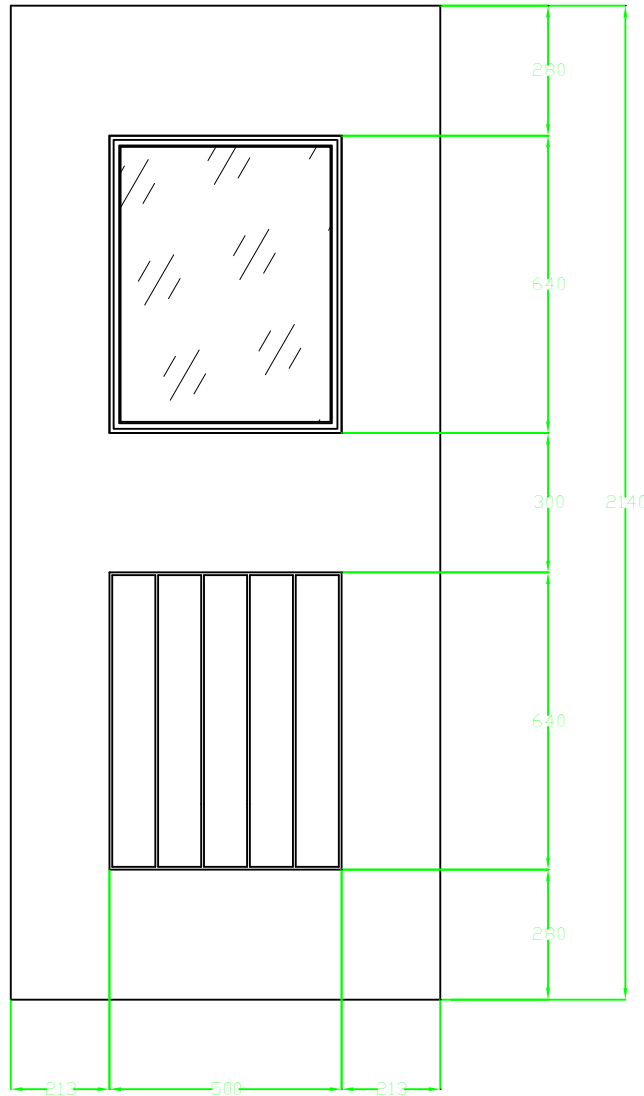
STABLE DIAMONDVIEW  
DIAMOND  
PHILADELPHIA  
PORTLAND  
NEWARK  
CLASSIC  
VOGUE  
JACOBAN  
WINDSOR  
MONTANA  
GEORGIA  
KENTUCKY  
CAROLINA  
ARCACIA  
VIRGINIA  
COLONIAL  
REGENCY  
ENGLISH COTTAGE  
STABLE SPY VIEW  
STABLE VIEW LIGHT  
COTTAGE SPY VIEW  
COTTAGE VIEW LIGHT  
TONGUE AND GROOVE 5  
CAMPUS

DOOR OUTER FRAME  
THRESHOLD  
CILL  
FRAME EXTENSIONS  
COUPLING BAR  
SIDE FRAME PANELS



INDEX

# COTTAGE VIEW LIGHT



## 72 FRAME WITH LOW ALUMINIUM THRESHOLD

MAXIMUM SIZE: 1020 x 2176

MINIMUM SIZE: 820 x 1866

## DOUBLE DOORS 72 FRAME WITH LOW ALUMINIUM THRESHOLD

MAXIMUM SIZE: 1934 x 2176

MINIMUM SIZE: 1534 x 1866

The overall frame dimensions can be increase or reduced by using other options;

## DOOR OUTER FRAME THRESHOLDS

### CILL

### FRAME EXTENSIONS

## DOOR SASH

MAXIMUM SIZE: 908 x 2098

MINIMUM SIZE: 708 x 1788

## PRESS GLAZING

UNIT THICKNESS: 22

UNIT SIZE: 485 x 625

APERTURE: 436 x 576

## PRESS BEAD GLAZING

UNIT THICKNESS: 24

UNIT SIZE: 440 x 580

APERTURE: 410 x 550

## DOORS

STABLE DIAMONDDVIEW

DIAMOND

PHILADELPHIA

PORTLAND

NEWARK

CLASSIC

VOGUE

JACOBAN

WINDSOR

MONTANA

GEORGIA

KENTUCKY

CAROLINA

ARCACIA

VIRGINIA

COLONIAL

REGENCY

ENGLISH COTTAGE

STABLE SPY VIEW

STABLE VIEW LIGHT

COTTAGE SPY VIEW

COTTAGE VIEW LIGHT

TONGUE AND GROOVE 5

CAMPUS

DOOR OUTER FRAME  
THRESHOLD

CILL

FRAME EXTENSIONS

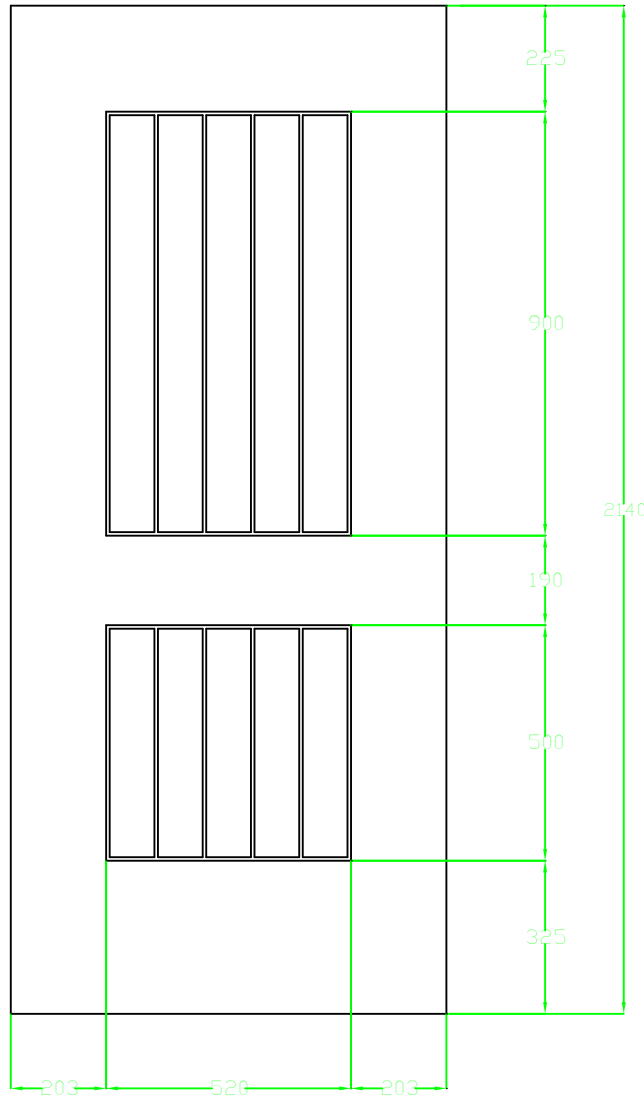
COUPLING BAR

SIDE FRAME PANELS



INDEX

# TONGUE & GROOVE 5



## 72 FRAME WITH LOW ALUMINIUM THRESHOLD

MAXIMUM SIZE: 1020 x 2176

MINIMUM SIZE: 800 x 1836

## DOUBLE DOORS 72 FRAME WITH LOW ALUMINIUM THRESHOLD

MAXIMUM SIZE: 1934 x 2176

MINIMUM SIZE: 1494 x 1836

The overall frame dimensions can be increase or reduced by using other options;

## DOOR OUTER FRAME THRESHOLDS

## CILL

## FRAME EXTENSIONS

## DOOR SASH

MAXIMUM SIZE: 908 x 2098

MINIMUM SIZE: 688 x 1758

## DOORS

STABLE DIAMONDVIEW

DIAMOND

PHILADELPHIA

PORTLAND

NEWARK

CLASSIC

VOGUE

JACOBAN

WINDSOR

MONTANA

GEORGIA

KENTUCKY

CAROLINA

ARCACIA

VIRGINIA

COLONIAL

REGENCY

ENGLISH COTTAGE

STABLE SPY VIEW

STABLE VIEW LIGHT

COTTAGE SPY VIEW

COTTAGE VIEW LIGHT

TONGUE AND GROOVE 5

CAMPUS

DOOR OUTER FRAME  
THRESHOLD

CILL

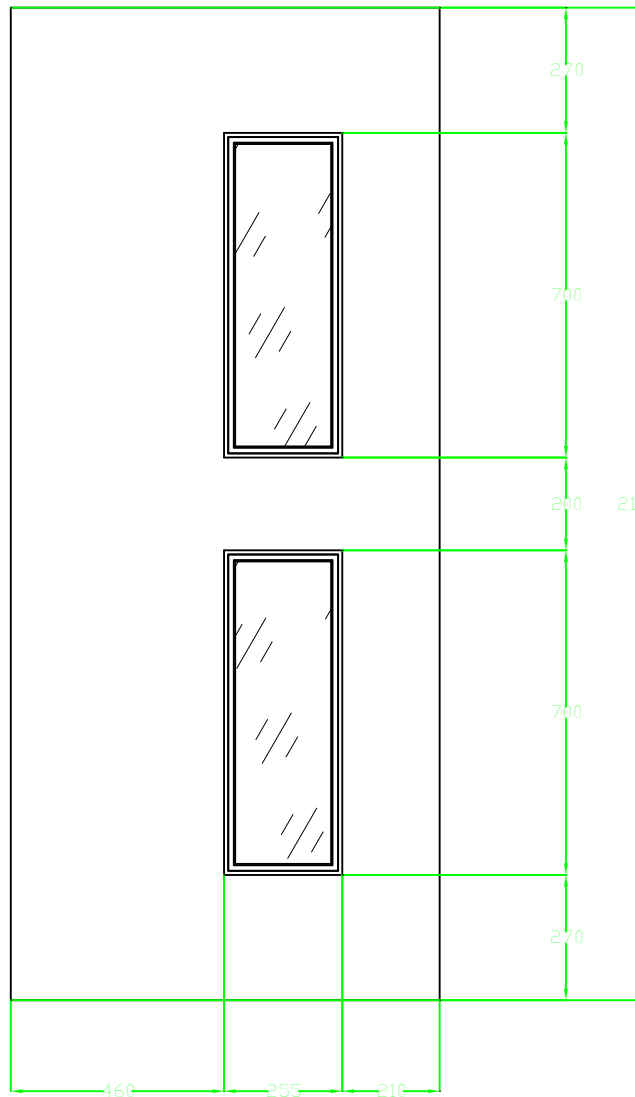
FRAME EXTENSIONS

COUPLING BAR

SIDE FRAME PANELS



INDEX



**72 FRAME WITH  
LOW ALUMINIUM THRESHOLD**

MAXIMUM SIZE: 1020 x 2176  
MINIMUM SIZE: 825 x 1886

**DOUBLE DOORS 72 FRAME WITH  
LOW ALUMINIUM THRESHOLD**

MAXIMUM SIZE: 1934 x 2176  
MINIMUM SIZE: 1544 x 1886

The overall frame dimensions can be increase or reduced by using other options;

**DOOR OUTER FRAME  
THRESHOLDS**

**CILL**

**FRAME EXTENSIONS**

**DOOR SASH**

MAXIMUM SIZE: 908 x 2098  
MINIMUM SIZE: 713 x 1808

**PRESS GLAZING**

UNIT THICKNESS: 22  
UNIT SIZE: 185 x 630  
APERTURE: 148 x 590

**PRESS BEAD GLAZING**

UNIT THICKNESS: 24  
UNIT SIZE: 185 x 630  
APERTURE: 148 x 590

**DOORS**

- STABLE DIAMONDVIEW
- DIAMOND
- PHILADELPHIA
- PORTLAND
- NEWARK
- CLASSIC
- VOGUE
- JACOBAN
- WINDSOR
- MONTANA
- GEORGIA
- KENTUCKY
- CAROLINA
- ARCACIA
- VIRGINIA
- COLONIAL
- REGENCY
- ENGLISH COTTAGE
- STABLE SPY VIEW
- STABLE VIEW LIGHT
- COTTAGE SPY VIEW
- COTTAGE VIEW LIGHT
- TONGUE AND GROOVE 5
- CAMPUS

- DOOR OUTER FRAME
- THRESHOLD
- CILL
- FRAME EXTENSIONS
- COUPLING BAR
- SIDE FRAME PANELS

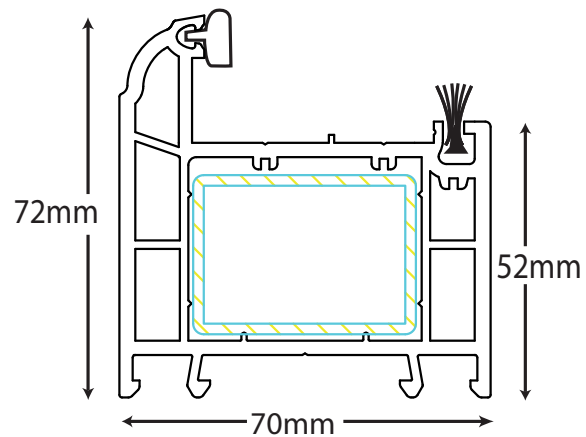


## DOORS

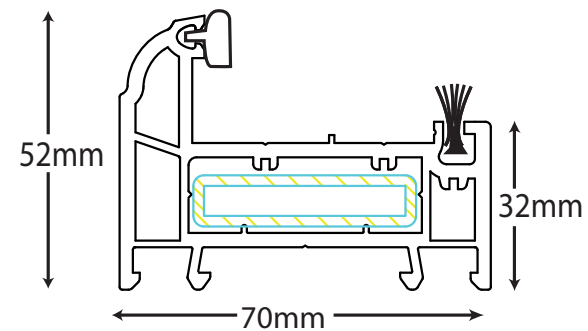
- STABLE DIAMONDVIEW
- DIAMOND
- PHILADELPHIA
- PORTLAND
- NEWARK
- CLASSIC
- VOGUE
- JACOBAN
- WINDSOR
- MONTANA
- GEORGIA
- KENTUCKY
- CAROLINA
- ARCACIA
- VIRGINIA
- COLONIAL
- REGENCY
- ENGLISH COTTAGE
- STABLE SPY VIEW
- STABLE VIEW LIGHT
- COTTAGE SPY VIEW
- COTTAGE VIEW LIGHT
- TONGUE AND GROOVE 5
- CAMPUS

- DOOR OUTER FRAME
- THRESHOLD
- CILL
- FRAME EXTENSIONS
- COUPLING BAR
- SIDE FRAME PANELS

### LARGE OUTER FRAME



### SLIM OUTER FRAME



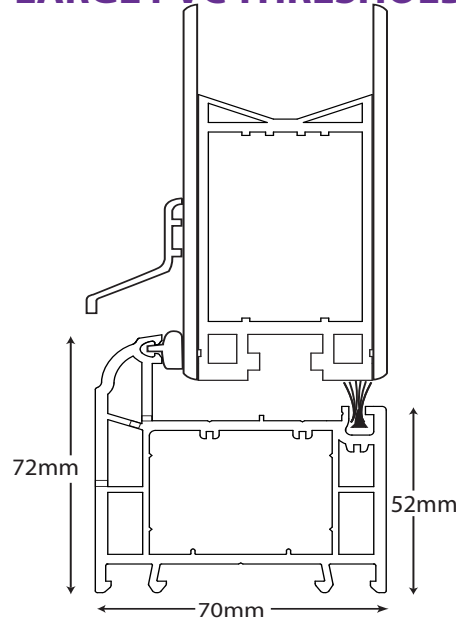
# THRESHOLD

## DOORS

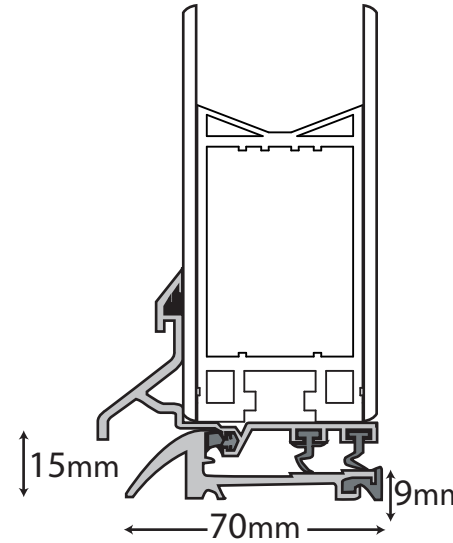
- STABLE DIAMONDVIEW
- DIAMOND
- PHILADELPHIA
- PORTLAND
- NEWARK
- CLASSIC
- VOGUE
- JACOBAN
- WINDSOR
- MONTANA
- GEORGIA
- KENTUCKY
- CAROLINA
- ARCACIA
- VIRGINIA
- COLONIAL
- REGENCY
- ENGLISH COTTAGE
- STABLE SPY VIEW
- STABLE VIEW LIGHT
- COTTAGE SPY VIEW
- COTTAGE VIEW LIGHT
- TONGUE AND GROOVE 5
- CAMPUS

- DOOR OUTER FRAME
- THRESHOLD
- CILL
- FRAME EXTENSIONS
- COUPLING BAR
- SIDE FRAME PANELS

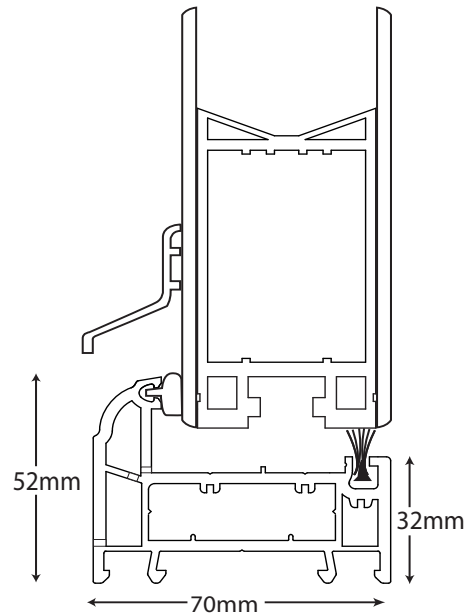
### LARGE PVC THRESHOLD



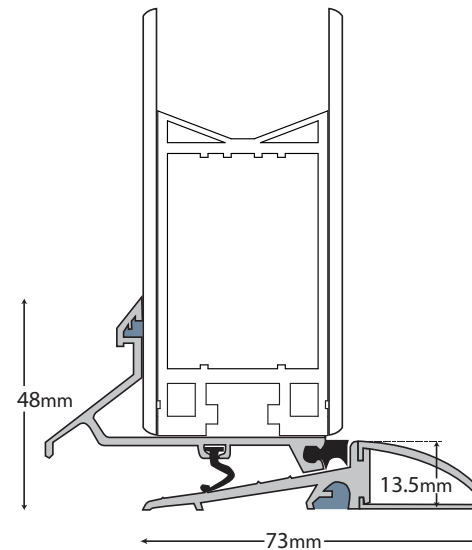
### OPEN IN ALI THRESHOLD



### SLIM PVC THRESHOLD



### OPEN OUT ALI THRESHOLD



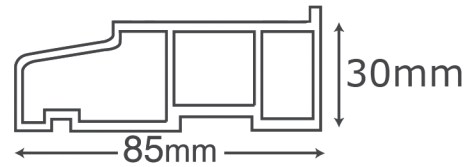
## CILL

### DOORS

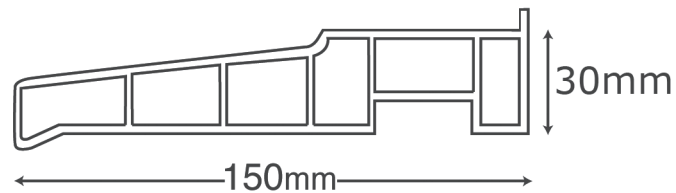
STABLE DIAMONDVIEW  
DIAMOND  
PHILADELPHIA  
PORTLAND  
NEWARK  
CLASSIC  
VOGUE  
JACOBAN  
WINDSOR  
MONTANA  
GEORGIA  
KENTUCKY  
CAROLINA  
ARCACIA  
VIRGINIA  
COLONIAL  
REGENCY  
ENGLISH COTTAGE  
STABLE SPY VIEW  
STABLE VIEW LIGHT  
COTTAGE SPY VIEW  
COTTAGE VIEW LIGHT  
TONGUE AND GROOVE 5  
CAMPUS

DOOR OUTER FRAME  
THRESHOLD  
CILL  
FRAME EXTENSIONS  
COUPLING BAR  
SIDE FRAME PANELS

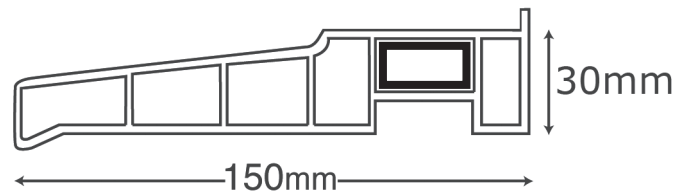
#### 85mm CILL



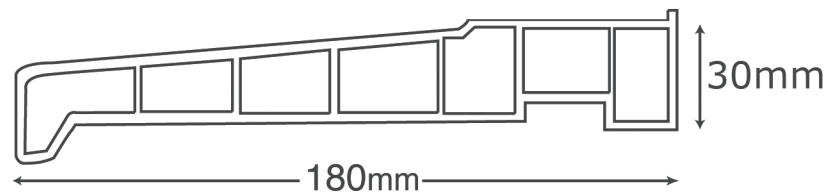
#### 150mm CILL



#### REINFORCED 150mm CILL



#### 180mm CILL



INDEX

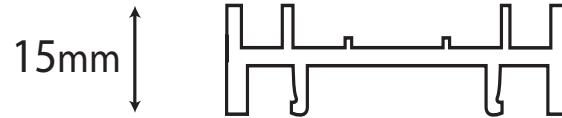
## FRAME EXTENSIONS

### DOORS

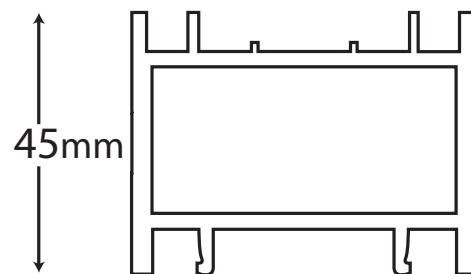
STABLE DIAMONDVIEW  
DIAMOND  
PHILADELPHIA  
PORTLAND  
NEWARK  
CLASSIC  
VOGUE  
JACOBAN  
WINDSOR  
MONTANA  
GEORGIA  
KENTUCKY  
CAROLINA  
ARCACIA  
VIRGINIA  
COLONIAL  
REGENCY  
ENGLISH COTTAGE  
STABLE SPY VIEW  
STABLE VIEW LIGHT  
COTTAGE SPY VIEW  
COTTAGE VIEW LIGHT  
TONGUE AND GROOVE 5  
CAMPUS

DOOR OUTER FRAME  
THRESHOLD  
CILL  
FRAME EXTENSIONS  
COUPLING BAR  
SIDE FRAME PANELS

### 15mm FRAME EXTENSIONS



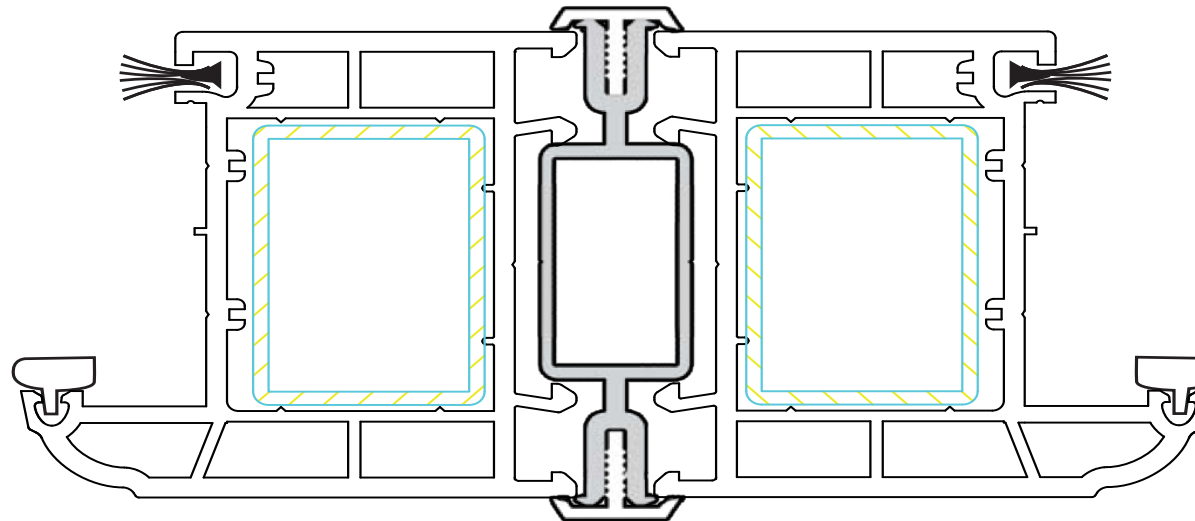
### 45mm FRAME EXTENSIONS



INDEX

**7 mm COUPLING BAR**

← 52mm → ↔ 7 ↔ ← 52mm →



← 72mm → ↔ 7 ↔ ← 72mm →

**DOORS**

- STABLE DIAMONDVIEW
- DIAMOND
- PHILADELPHIA
- PORTLAND
- NEWARK
- CLASSIC
- VOGUE
- JACOBAN
- WINDSOR
- MONTANA
- GEORGIA
- KENTUCKY
- CAROLINA
- ARCACIA
- VIRGINIA
- COLONIAL
- REGENCY
- ENGLISH COTTAGE
- STABLE SPY VIEW
- STABLE VIEW LIGHT
- COTTAGE SPY VIEW
- COTTAGE VIEW LIGHT
- TONGUE AND GROOVE 5
- CAMPUS

- DOOR OUTER FRAME
- THRESHOLD
- CILL
- FRAME EXTENSIONS
- COUPLING BAR
- SIDE FRAME PANELS



**SIDE FRAMES / PANELS**

Panel Style	Minimum Width	Maximum Width	Minimum Width Including Standard Frame & coupling	Maximum Width Including Standard Frame & coupling
Single Moulded Panel To match Jacobean, Windsor, Carolina, Colonial	332	412	467	547
Double Moulded Panel To match Jacobean, Windsor, Carolina, Colonial	661	890	796	1025
Moulded Panel To match Stable, cottage	600	890	735	1025
Flush Grain Panel	100	890	235	1025

**DOORS**

- STABLE DIAMONDVIEW
- DIAMOND
- PHILADELPHIA
- PORTLAND
- NEWARK
- CLASSIC
- VOGUE
- JACOBAN
- WINDSOR
- MONTANA
- GEORGIA
- KENTUCKY
- CAROLINA
- ARCACIA
- VIRGINIA
- COLONIAL
- REGENCY
- ENGLISH COTTAGE
- STABLE SPY VIEW
- STABLE VIEW LIGHT
- COTTAGE SPY VIEW
- COTTAGE VIEW LIGHT
- TONGUE AND GROOVE 5
- CAMPUS

- DOOR OUTER FRAME
- THRESHOLD
- CILL
- FRAME EXTENSIONS
- COUPLING BAR
- SIDE FRAME PANELS

